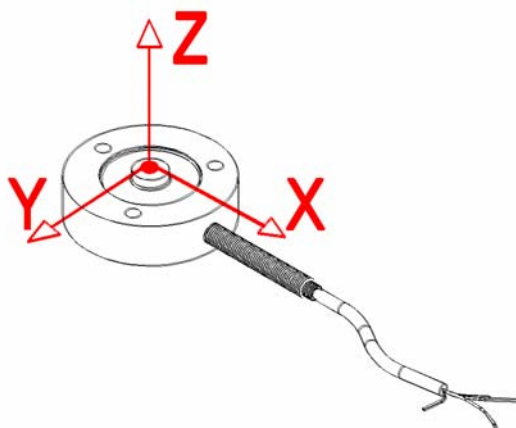


Deflection & Natural Frequency



Material	Capacity (lb)	Deflection (in.)	Natural Frequency (Hz)	β
(S.S.*)	100	0.0009	12,300	0.0072
	250	0.0009	18,000	0.0089
	500	0.0008	24,000	0.0107
	1,000	0.0008	29,900	0.0135
	2,000	0.0014	30,700	0.0151
	2,500	0.0015	31,800	0.0162

*FN results are based on calculation of deflection & weight scene on Sensor arm.

Natural Frequency & Frequency Response Equation's:

$$\text{Natural Frequency (FN)} = 3.13 \sqrt{\frac{1}{\frac{\beta}{\text{Capacity}} \cdot \text{Deflection}}} \text{ (Hz)}$$

$$\text{Frequency Response with load (FR)} = 3.13 \sqrt{\frac{1}{\frac{\beta + \text{AppliedLoad}}{\text{Capacity}} \cdot \text{Deflection}}} \text{ (Hz)}$$

*Where β values are obtained by Futek Engineers